

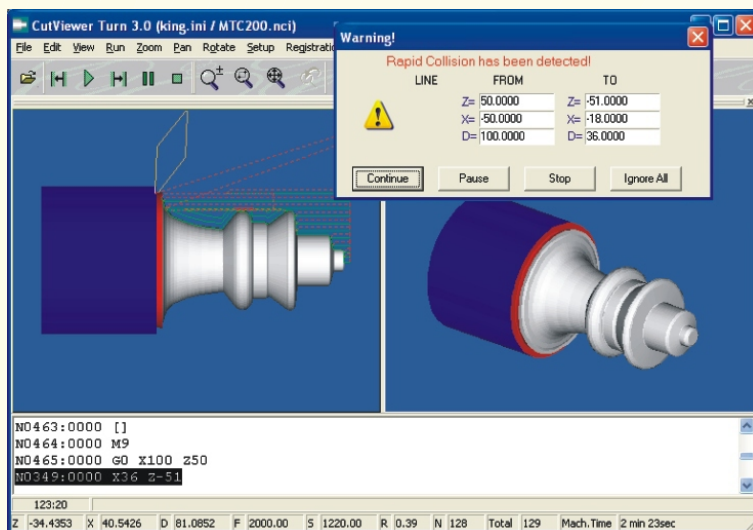


HYTECH EDUCATIONAL EQUIPMENT

CutViewer TURN

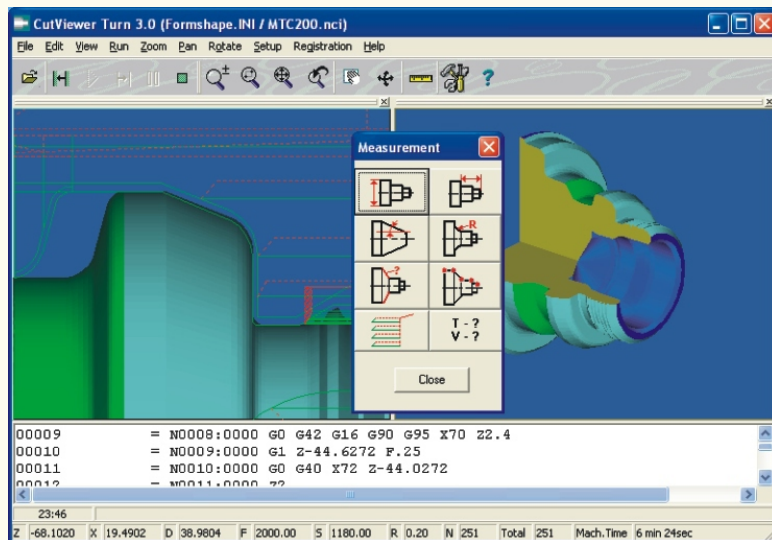
Controllers: SIEMENS, FANUC, ISO, TRAUB, OKUMA

CutViewer is an easy to use program that simulates 2 and 2 ½ axes CNC Machines removing material from stock in true Solid Modelling. CutViewer will increase your productivity, eliminate programming errors, and prevent machine down time. Easy to use functions allow better understanding of CAM processes. Detects collision of the tool with stock while in Rapid. Estimates machining time. Currently used in more than 25 countries all over the world.



Command Set

- Zoom
- Scale
- Rotate
- Change Viewpoint
- Step forward / Backward
- Set Breakpoints
- Run to breakpoint



Key Benefits

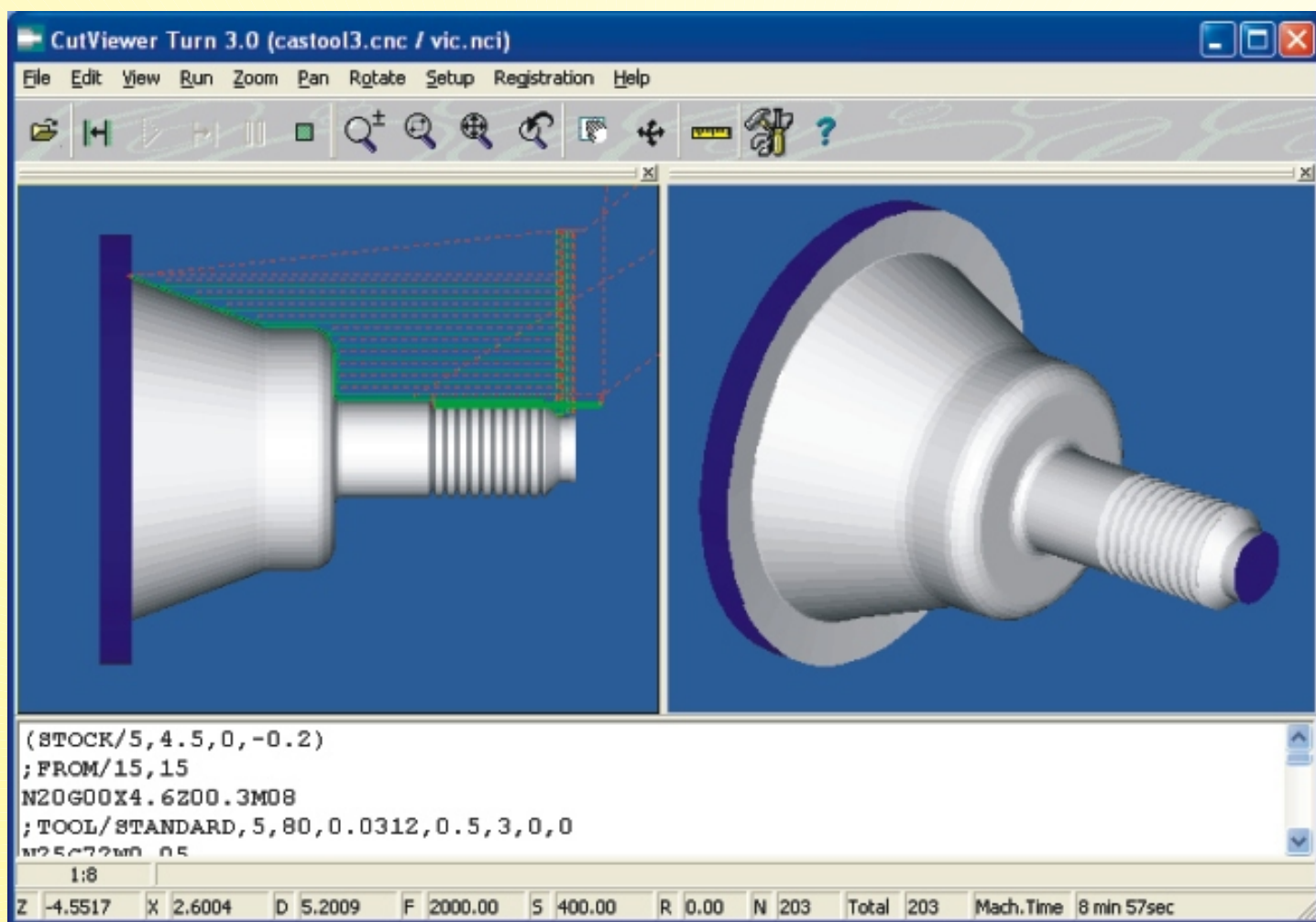
- Cross Section Display
- Built in Editor (for those last minute fixes)
- Trace forward / backward
- Dynamic rotation of viewpoint
- Linear and Angular Measurement
- STL Compare' function
- Volumetric Measurement
- Machining Time Calculation
- Rapid Collision Detection
- Canned Cycles
- Dynamic Zoom / Pan / Rotation
- Turbomode - Results in few seconds
- Block cycle Time can be precisely measured

Supported File Format

- ISO G-Code Files
- Fanuc 0T files
- Fanuc 10TA f11TA Files
- OKUMA Files
- TRAUB Files
- SIEMENS 840D



CUTVIEWER TURN



LIST OF COUNTRIES USING SOFTWARE:

- USA ● UK ● ITALY ● IRELAND ● SWEDEN ● NORWAY ● RUSSIA
- UKRAINE ● INDIA ● INDONESIA ● POLAND ● COLUMBIA ● SOUTH AFRICA
- CHINA ● KOREA ● ARGENTINA ● AUSTRALIA & 20 OTHER COUNTRIES

CutViewer is a 32 bit application that works on Windows 2000 or higher version of Windows.
Minimum hardware Requirements:

- Pentium or AMD processor with minimum 32 MB of RAM
- Video Graphics card with minimum memory of 4 MB
- 10 MB of available Hard disk space



HYTECH EDUCATIONAL EQUIPMENT

Regd. Office: - 202A Umashankar, Paud Road, Rambag Colony, PUNE 411038

Factory: - Laygude Industrial Estate, Lagamala, Sinhgad Road, PUNE 411041

Email: - info@hytecheducation.com, sales@hytecheducation.com, infohytech@gmail.com

Website: www.hytechworld.com

KEY FOR ADVANCED AND LATEST CAD-CAM TECHNOLOGY !

Due to continuous Research & Development, specifications may change without notice.